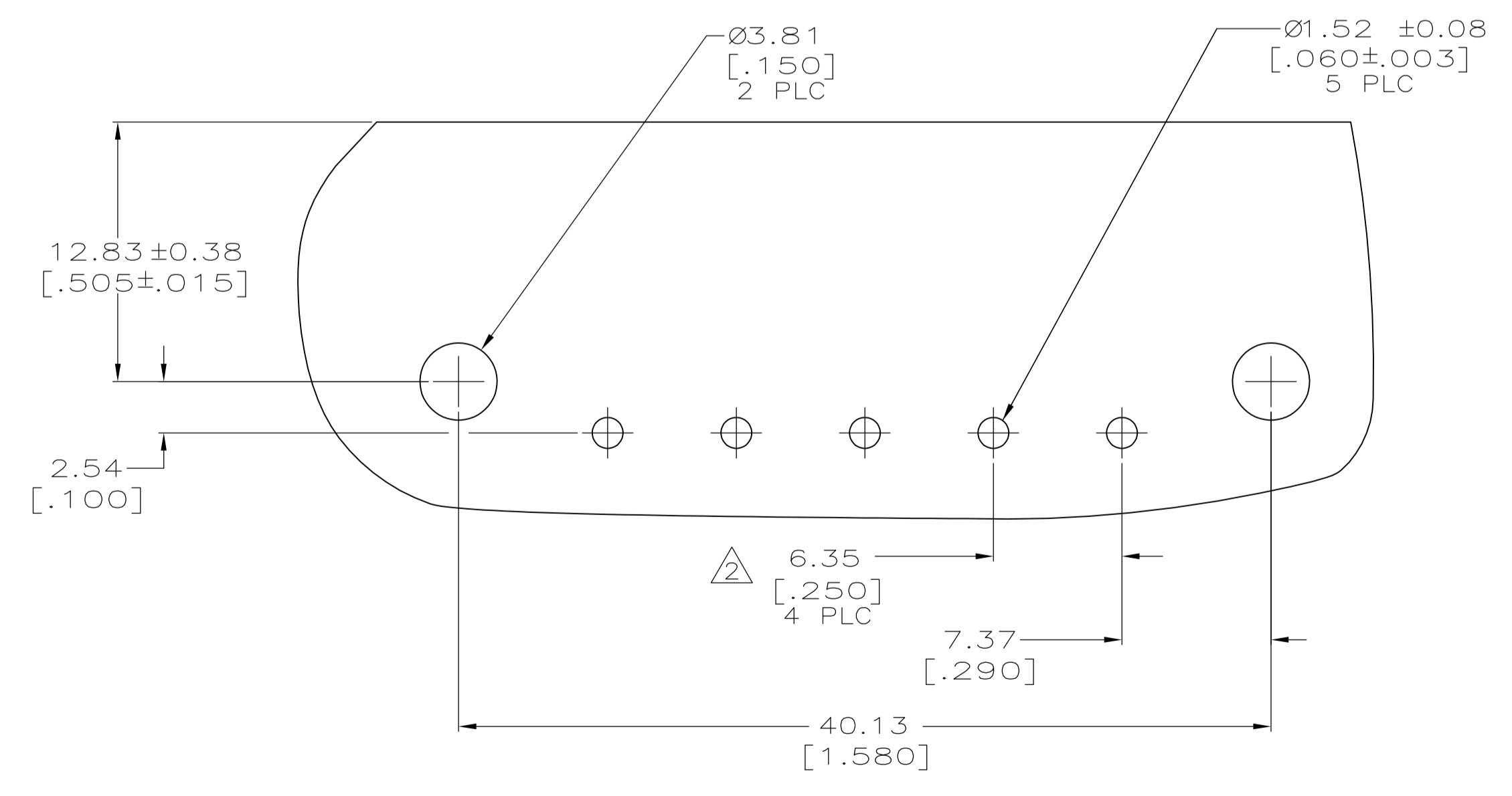
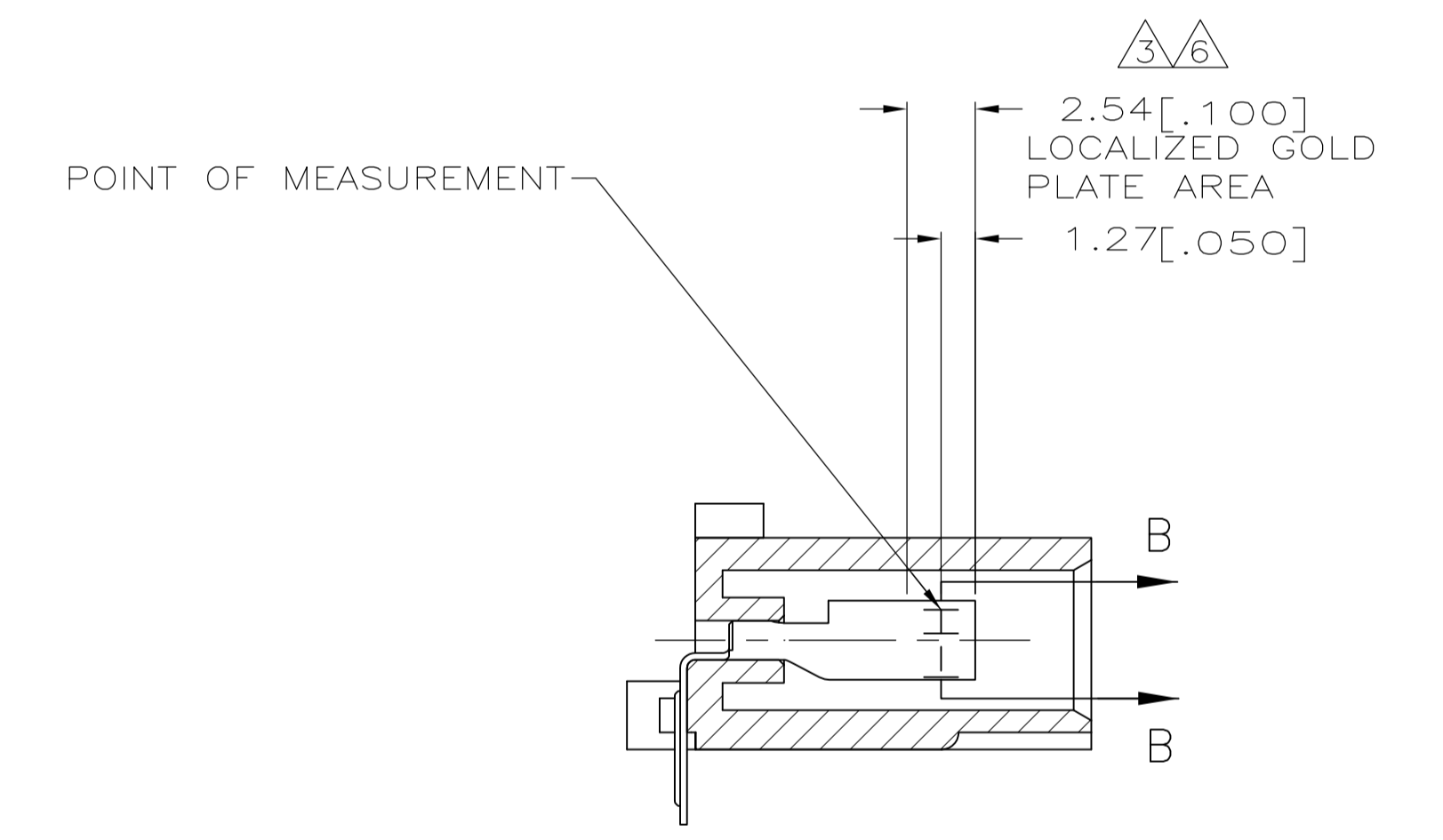
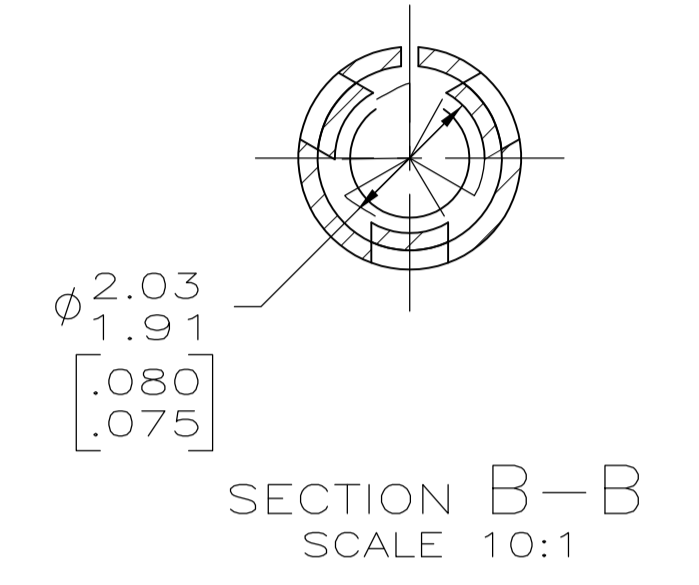
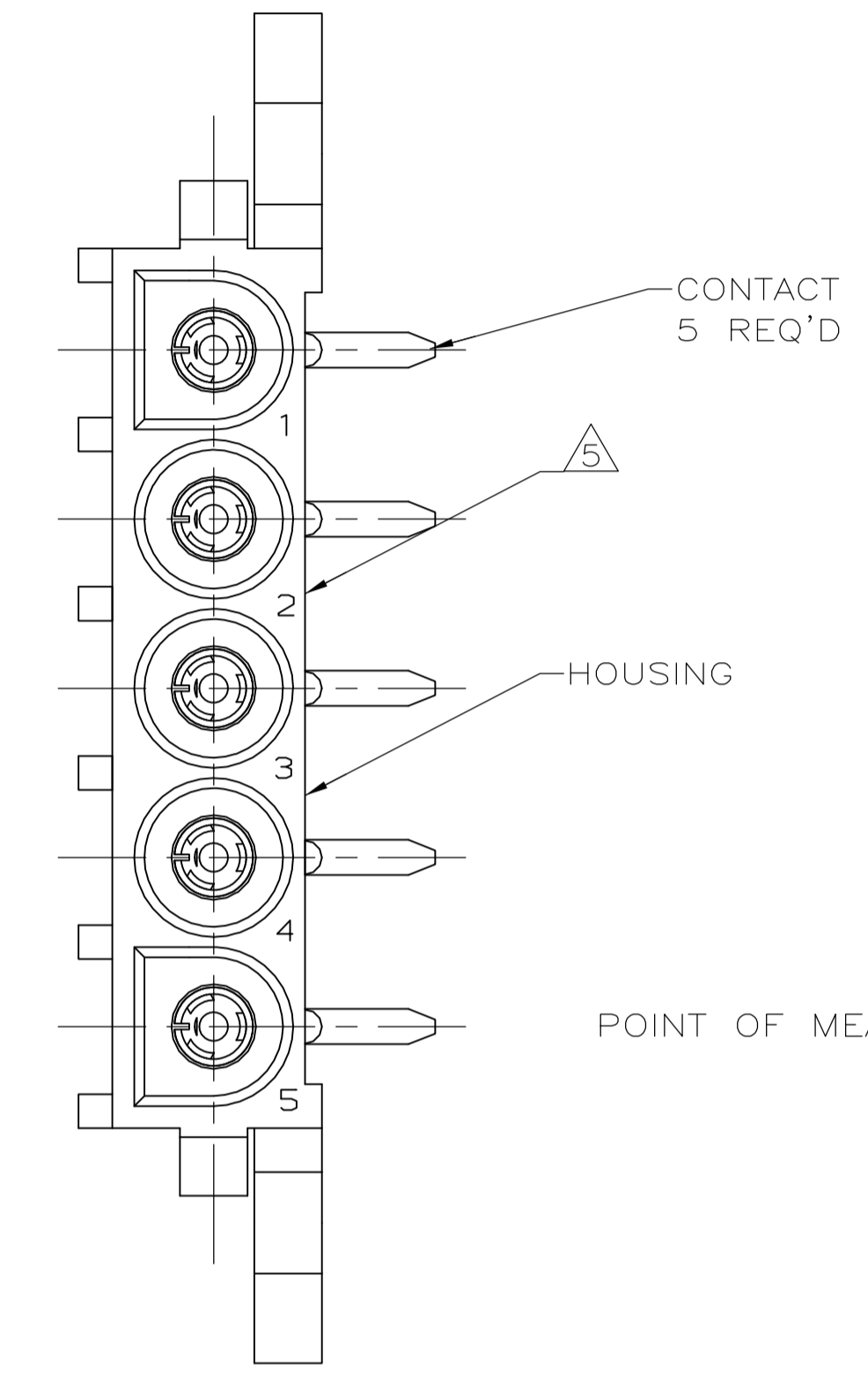
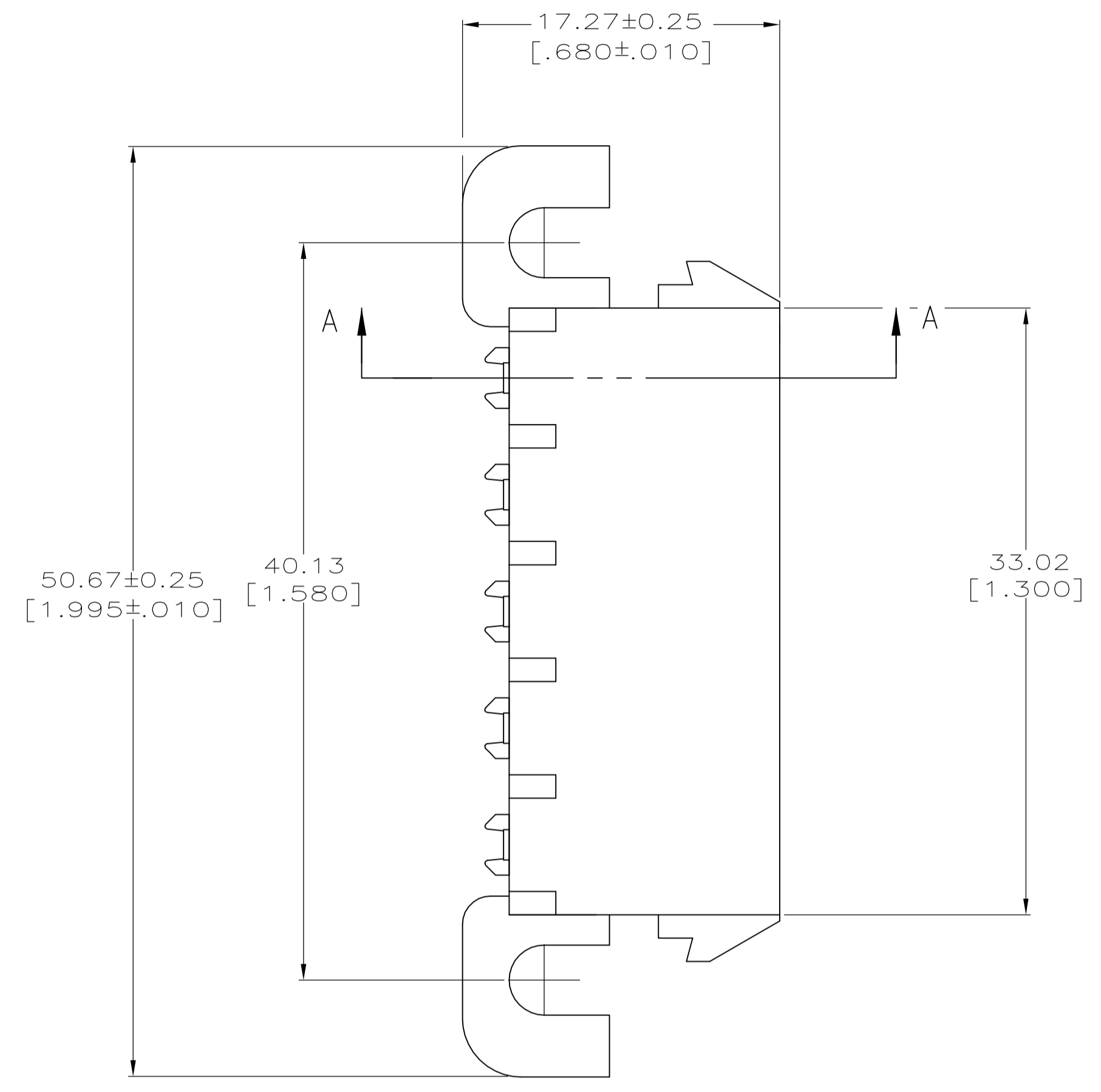
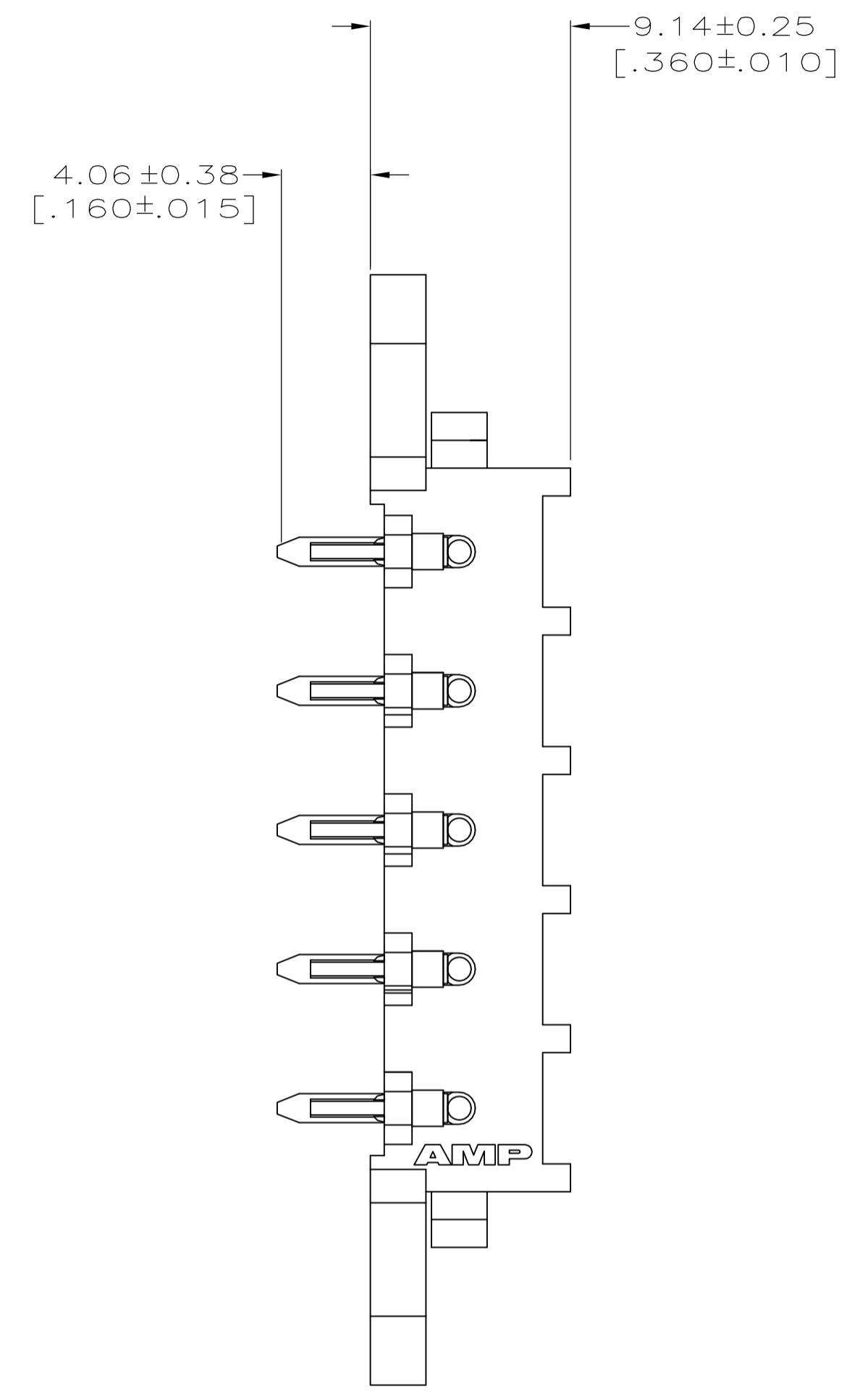
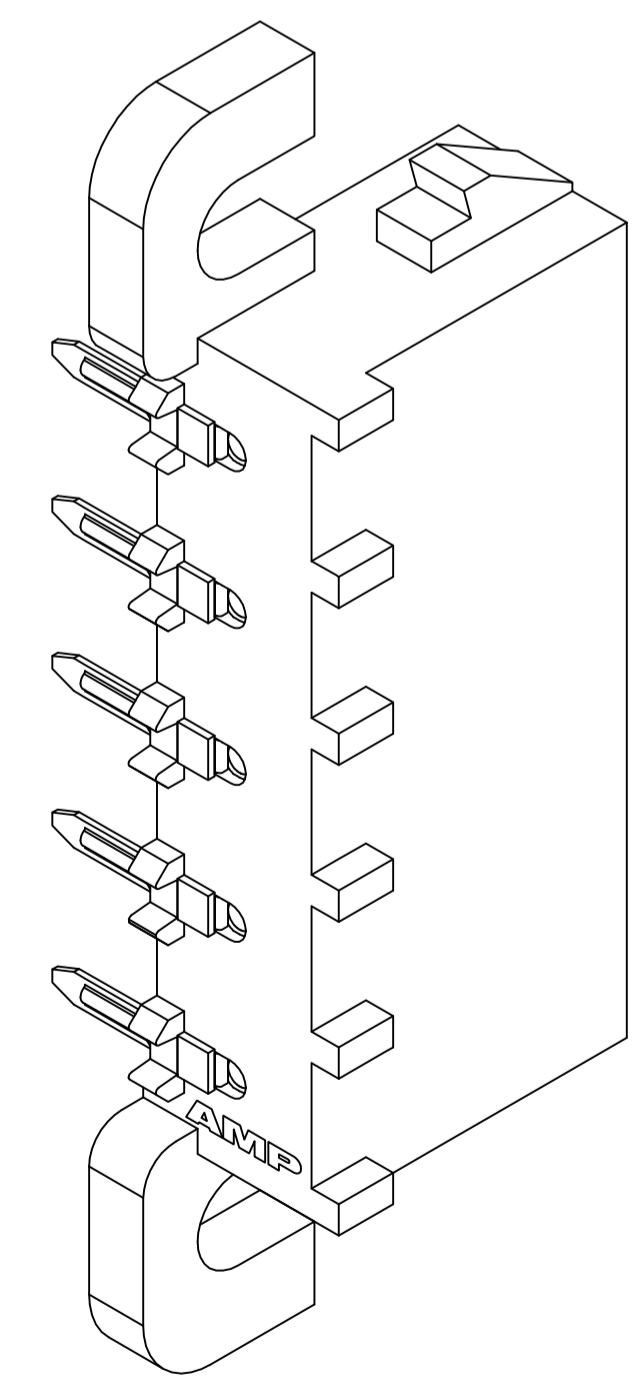


- 1 PARTS COMPLY WITH AMP SOLDERABILITY SPECIFICATION 109-11-5.
- 2 TOLERANCE NON-CUMULATIVE.
- 3 0.00076 [.000030] GOLD OVER 0.00127 [.000050] MIN NICKEL WITH MATTE TIN LEAD ON SOLDER TAIL.
- 4 DIMENSIONS IN BRACKETS ARE IN INCHES.
- 5 CIRCUIT IDENTIFICATION CHARACTERS ARE ADJACENT TO THE INDICATED CAVITIES, BUT LOCATION AND ORIENTATION MAY DIFFER FROM PRINT.
- 6 0.00076 [.000030] GOLD OVER 0.00127 [.000050] MIN NICKEL WITH MATTE TIN ON SOLDER TAIL.
- 7 SUPERSEDED BY 3-643232-0



RECOMMENDED MOUNTING HOLE PATTERN FOR .062 [1.57] THICK P.C. BOARD



PH BRZ GOLD, 6	NYLON UL 94V-0	3-643232-0
PH BRZ GOLD, 3	NYLON UL 94V-0	643232-2
PH BRZ PRE-TIN	NYLON UL 94V-0	643232-1
CONTACT	HOUSING	PART NUMBER

THIS DRAWING IS A CONTROLLED DOCUMENT.		DIN K. WHITAKER 21APR2005		STE TE Connectivity	
DIMENSIONS: mm [INCHES]		CHK S. RIDGILL 21APR2005		NAME	
TOLERANCES UNLESS OTHERWISE SPECIFIED:		APVD S. RIDGILL 21APR2005		PRODUCT SPEC	
0 PLC ± -		APPLICATION SPEC		SIZE	
1 PLC ± -		WEIGHT		CAGE CODE	
2 PLC ± 0.13[.005]		DRAWING NO		RESTRICTED TO	
3 PLC ± -		A1 00779		643232	
4 PLC ± -		CUSTOMER DRAWING		SCALE 4:1 SHEET 1 OF 1 REV D1	
ANGLES ± -					
FINISH SEE TABLE					